

Spacial.ATEX stainless steel wall-mounting enclosure



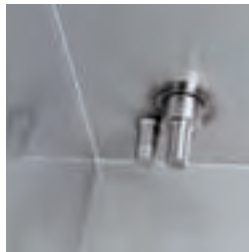
Spacial stainless steel wall-mounting enclosure compliant with the ATEX directive



Blind nut for external earth connection.



The earthing studs are welded to the door and in the body.



The chassis is mounted on four backstuds with 10 mm shoulders.



The four fixing holes are blocked by four crimped blind nuts.

Attractive

- > Stainless steel wall-mounting enclosure.
- > Scotch-Brite® polished finishing.
- > Single-piece body with a cross-shaped structure.

Solid and sealed

- > Protection against external mechanical impact: IK10.
- > Degree of protection: IP66. Polyurethane gasket.
- > Gutter-shaped front profile.

Choice

- > Solid door: 7 references.
- > Plain chassis.
- > Silkscreened chassis.
- > Microperforated chassis.
- > Telequick perforated chassis.
- > Symmetrical chassis.

Smart

- > 3 mm double-bar lock as standard.
- > Door rails perforated with a pitch of 25 mm allowing accessories to be mounted on the door.
- > The door can be easily removed and turned over to open towards the left.

Easy

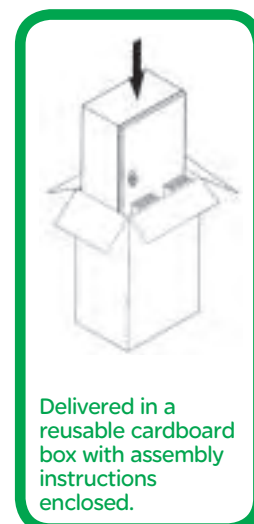
- > The 4 fixing holes are blocked by 4 crimped blind nuts.

Convenient

- > Large range of accessories.
- > Reusable packaging.



Specific ATEX marking.



Delivered in a reusable cardboard box with assembly instructions enclosed.

Spacial.ATEX stainless steel wall-mounting enclosure

Product sheet




Download our ATEX certificates and product sheets over the internet.



The Spacial.ATEX range of stainless steel wall-mounting enclosures is certified by the LOM with no. LOM 08ATEX3029U (component certificate).

The wall-mounting enclosures have the following marks:

 II 2 GD Ex e II Ex tD A21 IP66
according to directive ATEX 94/9/CE and standards EN 60079-0 (2004), EN 60079-7 (2006), EN 61241-0 (2005) and EN 61241-1 (2004).

Technical features

- > Stainless steel material: AISI 304L with Scotch-Brite® polished finishing.
- > Solid door.
- > Degree of protection IP66 according to IEC 60529 and EN 60529.
- > Protection against external mechanical impact: IK10 according to IEC 62262 and EN 62262.
- > Single-piece body (cross-shaped structure). Gutter-shaped front profile.
- > Two perforated vertical rails on the door (from 600 mm height), hole diameter of 4.25 mm with a pitch of 25 mm for mounting equipments.
- > Door strengthening frame (from a height of 1000 mm), section 20 mm × 15 mm, hole diameter of 5 mm with a pitch of 25 mm.
- > Standard closure with 3 mm double-bar lock (chrome-plated zamak).
- > Two closure points from a height of 500 mm.
- > Stainless steel hinges screwed onto the body of the enclosure, making it easier to remove and invert the door. Opening angle: 120°.
- > Polyurethane gasket.
- > M6 × 16 screws on the door and on the body, allowing equipotential connection.
- > Mounting lugs, sealed by sealing plugs. The four fixing holes are blocked by four crimped blind nuts.
- > One crimped M6 blind nut for an external earth connection (braid not supplied).
- > Authorised ambient temperature limits:
-25 °C ≤ Ta ≤ +60 °C.

Spacial.ATEX stainless steel wall-mounting enclosure

Dimensions

Fig. 1

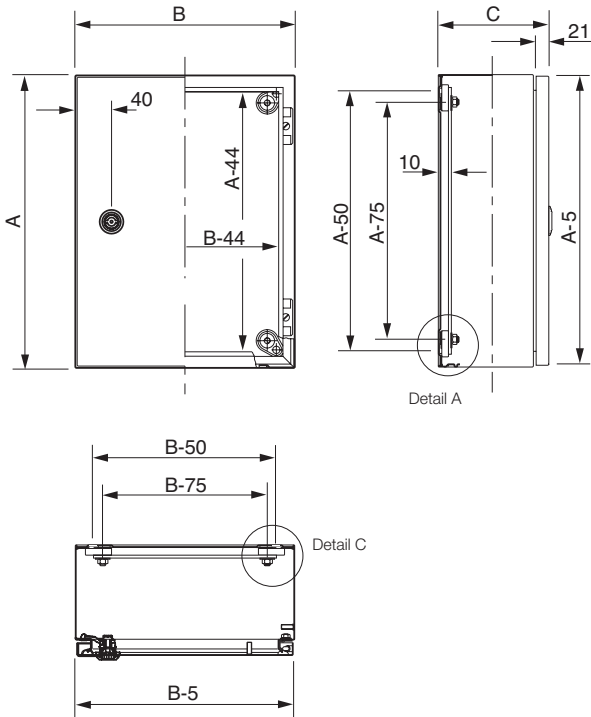
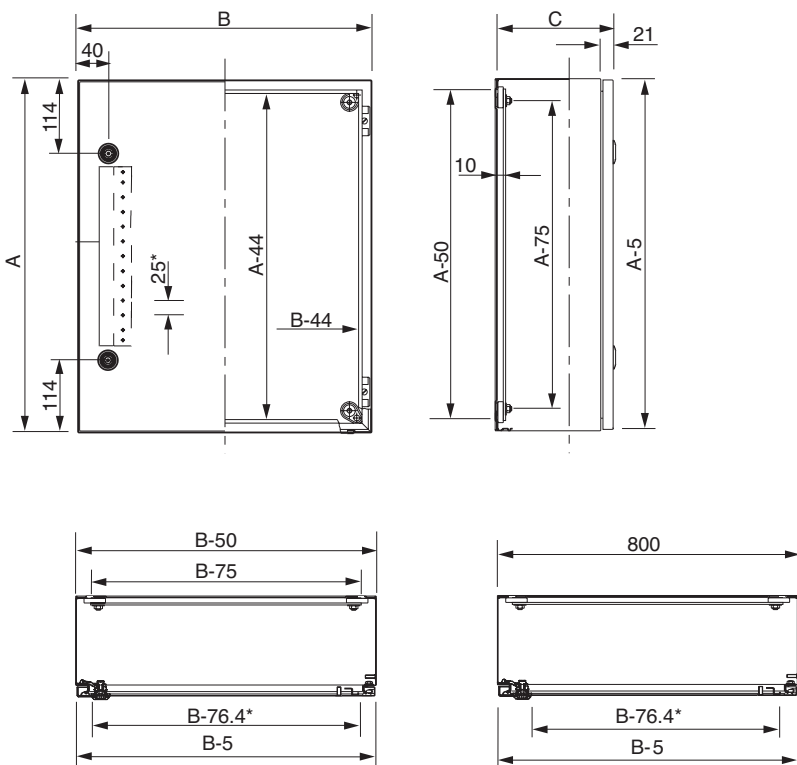


Fig. 2



*Door reinforcement.

external dimensions (mm)			
height (A)	width (B)	depth (C)	fig.
300	200	150	1
400	300	200	1
500	400	200	2*
600	400	200	2
700	500	250	2
800	600	250	2
1000	800	300	3

*Without door reinforcement.

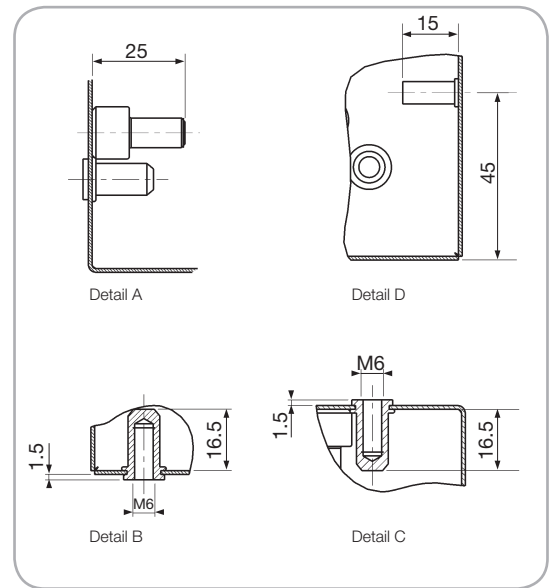
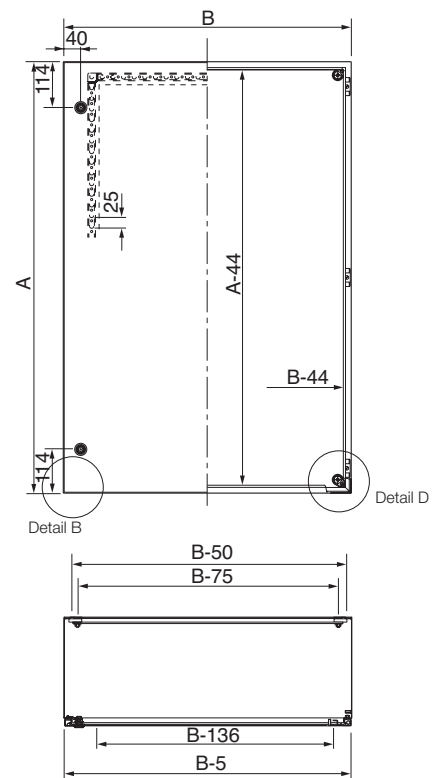
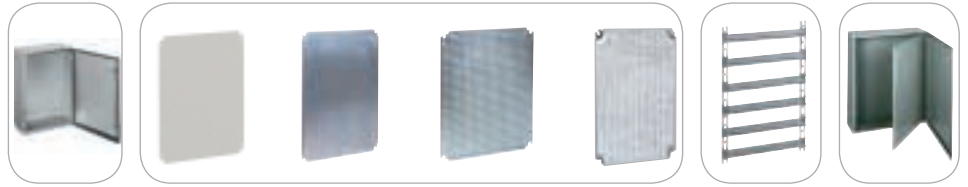


Fig. 3



Spacial.ATEX stainless steel wall-mounting enclosure

Table for choosing enclosures and main accessories



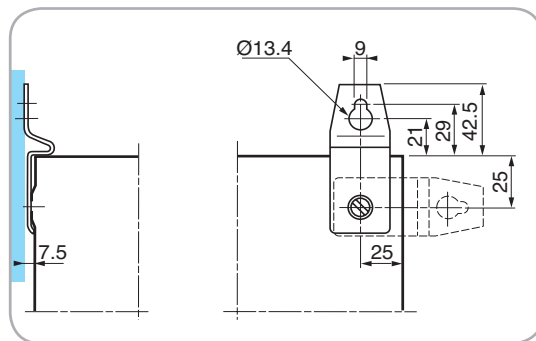
external dimensions (mm)			enclosure reference	mounting plates references				symmetrical mixed chassis	inner door
height	width	depth		plain	silkscreened	microperforated	telequick		
300	200	150	54410	55715	-	-	55415	-	-
400	300	200	54412	55712	55362	50412	55417	55017	-
500	400	200	54416	55723	55373	50423	55423	55023	55620
600	400	200	54417	55726	55376	50426	55426	55026	55626
700	500	250	54419	55735	55385	50435	55435	55035	55634
800	600	250	54420	55756	55396	50456	55456	55056	55656
1000	800	300	54422	55760	-	50460	55460	55060	55660

Composition accessories

Wall fixing lugs



- > Set of four 304 or 316L stainless steel wall-mounting lugs.
- > Mounting of the fixing lugs in horizontal or vertical position.

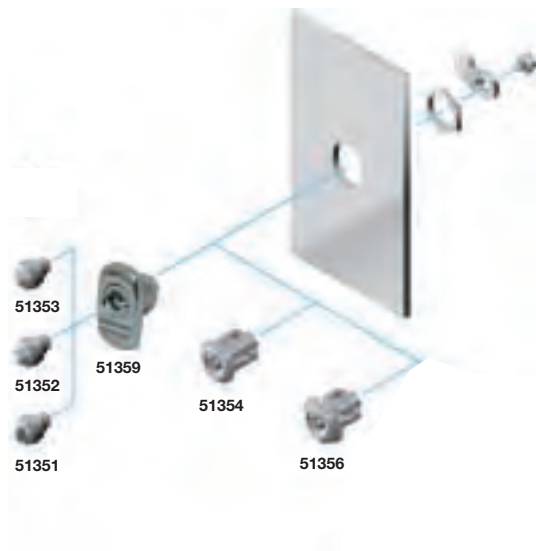


reference	stainless steel type
53496	304
54981	316L



Stainless steel wall-mounting enclosure locking system

> Enclosure supplied with a chrome-plated zamak 3 mm double-bar lock.



reference	description	material
51359	standard 3 mm double-bar lock	chrome-plated zamak
51354	3 mm double-bar (spare)	chrome-plated zamak
51356	3 mm double bar	100% stainless steel
51351	8 mm male triangle	100% stainless steel
51352	7 mm male square	100% stainless steel
51353	6 mm male square	100% stainless steel

Mounting accessories

Step slides



- > Set of 4 step slides.
- > Step slides kit with brackets for adjusting the depth of the chassis in 12.5 mm steps.
- > Material: treated steel.
- > Supplied with fixings and assembly instructions.

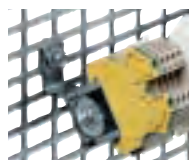
reference	for enclosure depth (mm)
51720	200
51725	250
51730	300



Other accessories can be found in the SAREL catalogue (please consult us).



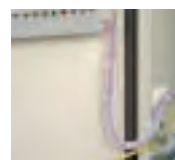
19" chassis



Terminal fixing supports



DIN rails

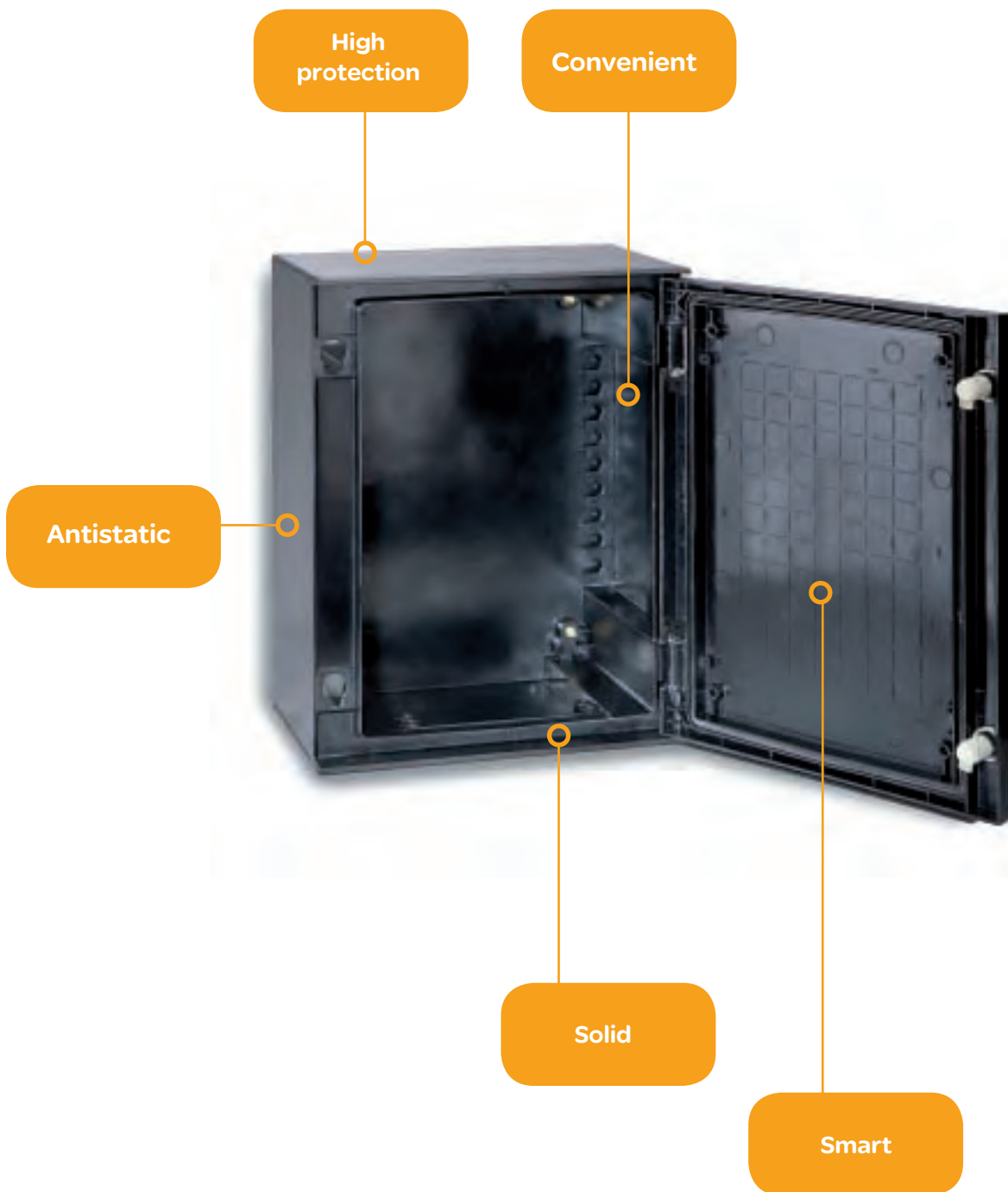


Cable management devices



Door rails

Thalassa.ATEX polyester wall-mounting enclosure



Thalassa polyester wall-mounting enclosure compliant with the ATEX directive



High protection

- > Built-in canopy.
- > High degree of protection, IP66.
- > Locks outside the sealed zone.

Solid

- > Single-piece body.
- > IK10.
- > Corrosion-resistant pin.

Convenient

- > Opens to 180°.
- > Can open to right or left by turning the enclosure over.

Smart

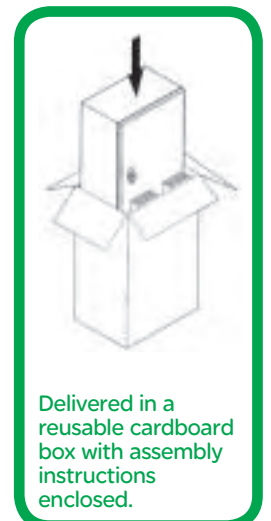
- > Chequered back of the door.
- > One notch every 25 mm for easy mounting of a DIN rail.

Antistatic

- > No static electricity thanks to the presence of graphite additives in the polyester.



Specific ATEX marking.



Delivered in a reusable cardboard box with assembly instructions enclosed.

Thalassa.ATEX polyester wall-mounting enclosure

Product sheet



Download our ATEX certificates and product sheets over the internet.



The Thalassa.ATEX range of polyester wall-mounting enclosures is certified by the LOM with no. LOM 08ATEX3041U (component certificate).

The wall-mounting enclosures have the following marks:

Ex II 2 GD Ex e II Ex tD A21 IP66 according to directive ATEX 94/9/CE and standards EN 60079-0 (2004), EN 60079-7 (2006), EN 61241-0 (2005) and EN 61241-1 (2004).

General features

features	dim 1	dim 2 to 6	dim 7
degree of protection	IP66	IP66	IP66
resistance to impacts	IK10	IK10	IK10
built-in canopy	no	yes	yes
opening	120°	180°	180°
pins	stainless steel	polyamide	stainless steel
locking system	2 locks double-bar	2 locks double-bar	1 lock 4 points with double-bar insert
lock outside sealed zone	no	yes	yes
system of notches for DIN rail every 25 mm	no	yes	yes
chassis assembly	mounted studs	inserts and studs	inserts and studs

Specific ATEX features

- > The surface resistance is $< 10^9 \Omega$.
- > Ambient temperature limits:
 $-25 \text{ °C} \leq T_a \leq +60 \text{ °C}$
- > Black colour.

The range

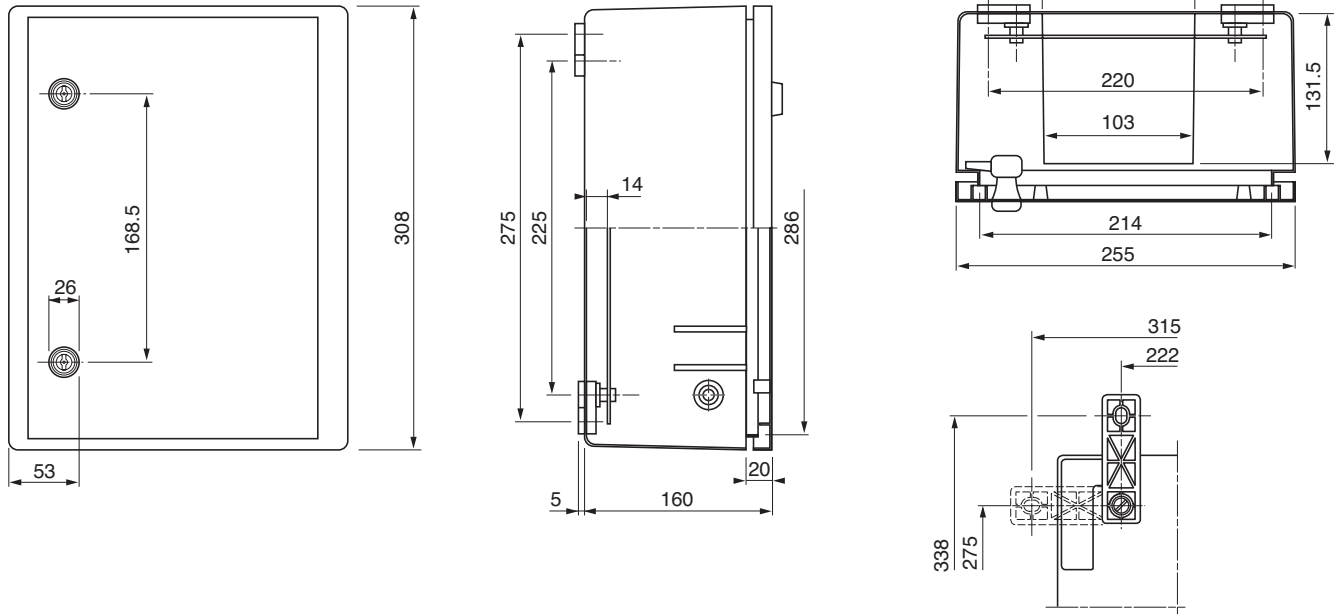
- > The 7 sizes of polyester wall-mounting enclosures of the Thalassa range:

reference	dimensions
59215	dim 1: 308 × 255 × 160 mm
59218	dim 2: 430 × 330 × 200 mm
59223	dim 3: 530 × 430 × 200 mm
59227	dim 4: 647 × 436 × 250 mm
59236	dim 5: 747 × 536 × 300 mm
59257	dim 6: 847 × 636 × 300 mm
59261	dim 7: 1056 × 852 × 350 mm

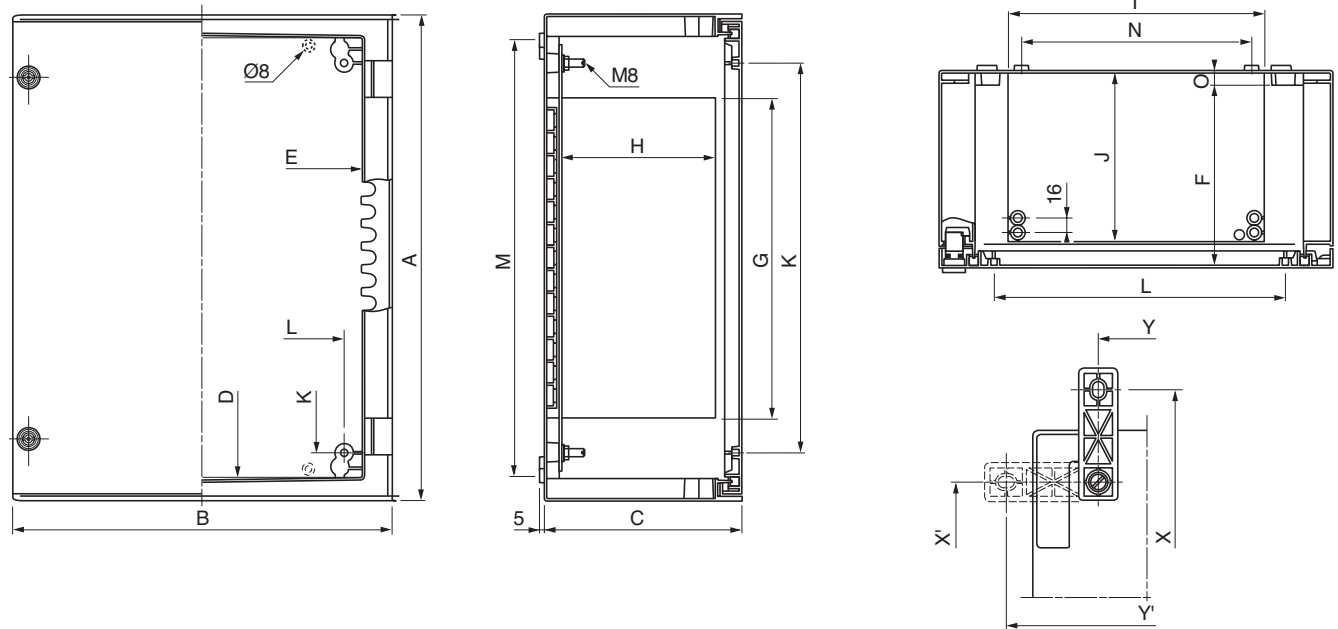
Thalassa.ATEX polyester wall-mounting enclosure

Dimensions

Dim 1: reference 59215



Dim 2 to 7*



★

enclosure reference	measurements											rear nuts and door bosses	mounting	external mounting with lugs				
	A	B	C	D	E	F	G	H	I	J	K			L	vertical		horizontal	
	O	X	Y	X'	Y'													
59218	430	330	200	380	260	181	247	150	179	168	325	225	13	490	225	355	360	
59223	530	430	200	480	360	181	347	150	279	168	425	325	13	590	325	455	460	
59227	647	436	250	580	360	228	388	192	279	212	525	325	13	690	330	555	465	
59236	747	536	300	680	460	278	487	241	379	261	625	425	15	790	430	655	565	
59257	847	636	300	780	560	278	587	241	479	261	725	525	15	890	530	755	665	
59261	1056	852	350	980	760	327	775	280	680	300	925	725	15	1090	750	955	885	

Thalassa.ATEX polyester wall-mounting enclosure

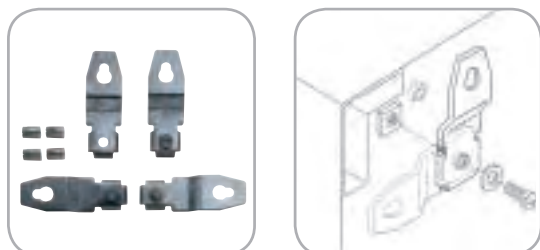
Table for choosing enclosures and main accessories



external dimensions (mm)			enclosure reference	mounting plates references				step slides	padlocking
height	width	depth		plain	silkscreened	microperforated	telequick		
308	255	160	59215	55716	-	-	55401	-	-
430	330	200	59218	55712	55362	50412	55417	51211	21438
530	430	200	59223	55723	55373	50423	55423	51211	21438
647	436	250	59227	55726	55376	50426	55426	51212	21438
747	536	300	29236	55735	55385	50435	55435	51213	21438
847	636	300	59257	55756	55396	50456	55456	51213	21438
1056	852	350	59261	55760	-	50460	55460	51214	51379

Composition accessories

Mounting with external lugs



The enclosures can be mounted by four stainless steel lugs, which are mounted in inserts to be placed on the rear of the enclosure, in horizontal or vertical position.

Reference: **51292**

Posts fixing device



> Mounting on a post with a maximum circumference of 675 mm (maximum diameter: 215 mm).

> Galvanised-steel rails and strip.

> Mounting of the rails in inserts to be placed on the rear of the enclosures.

> Maximum load 100 kg.

reference	for attachment to enclosures
21427	59218
21428	59223
21428	59227
21429	59236
21430	59257



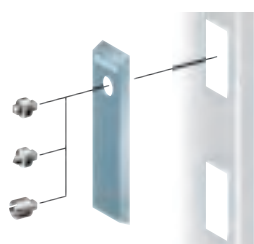
Locking systems for polyester wall-mounting enclosures with a height ≤ 850 mm



> The enclosures are delivered with a 3 mm double-bar zamak insert as standard.

shape inserts	
reference	description
63763	7 mm square
51255	8 mm square
51257	5 mm double bar
51282	8 mm triangular

Locks for 1056 x 852 mm wall-mounting enclosures



> Enclosures with a lock with 4 operating points: delivered with a standard 5 mm double-bar lock.

shape inserts (for cover plate)	
reference	description
51375	7 mm male square
51376	8 mm male square
51373	8 mm male triangle
51378	5 mm double-bar (standard)

Mounting accessories

35 mm symmetric rail



> Mounted on the bottom of the enclosure, with a pitch of 25 mm, using direct-mounting nuts, reference **17143**.

> Treated steel.

symmetrical rail reference	width of the enclosure	length of the rail
51041	330	280
51042	430/436	380
51043	536	480
51044	636	580
51045	852	795

Direct attachment M6 plastic nut



Special nuts for the wall-mounting enclosure bottom notches.

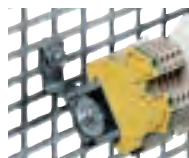
reference	description
17143	plastic nuts and self-tapping screw



Other accessories can be found in the SAREL catalogue (please consult us).



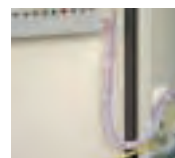
19" chassis



Terminal fixing support



DIN rails















Cable management devices



Door rails

Common accessories

Rails (length 2 m) and fixings

rails	reference	description	nut type	nut diameter	reference	fixing reference length (mm)
	63909	DIN rail perforated combination		M3/M4 M5/M6	64643 64645	M4 length 10 : 21090 M4 length 16 : 21091 M5 length 12 : 21092 M5 length 18 : 21093 M6 length 12 : 21094 M6 length 18 : 21095
	63910	combined rail		M3/M4 M5/M6	64643 64645	M4 length 10 : 21090 M4 length 16 : 21091 M5 length 12 : 21092 M5 length 18 : 21093 M6 length 12 : 21094 M6 length 18 : 21095
	21034	symmetrical rail, type A (35 × 15 mm)		M4 M5 M6	64646 64647 64648	M4 length 10 : 21090 M4 length 16 : 21091 M5 length 12 : 21092 M5 length 18 : 21093 M6 length 12 : 21094 M6 length 18 : 21095
	21030	symmetrical rail type B (35 × 7.5 mm)		M4 M5 M6	64646 64647 64648	M4 length 10 : 21090 M4 length 16 : 21091 M5 length 12 : 21092 M5 length 18 : 21093 M6 length 12 : 21094 M6 length 18 : 21095
	21031	asymmetrical rail		M4 M5 M6	21134 21135 21136	M4 length 10 : 21090 M4 length 16 : 21091 M5 length 12 : 21092 M5 length 18 : 21093 M6 length 12 : 21094 M6 length 18 : 21095
	63908	notched C-shaped rail for heavy loads		notched M6 standard M6 notched M8 standard M8	64626 64636 64628 64638	M6 length 12 : 21094 M6 length 18 : 21095 M8 length 20 : 21097 (without captive washer)

rails	description	nut diameter	reference	fixing reference length (mm)
	spring nut for mounting on telequick perforated grid	M3 M4 M5 M6	21163 21164 21165 21166	M4 length 10 : 21090 M4 length 16 : 21091 M5 length 12 : 21092 M5 length 18 : 21093 M6 length 12 : 21094 M6 length 18 : 21095
	self-tapping screw	for solid chassis for rail on door	4.8 x 12.7 reference 21141 4.8 x 16 reference 21139 Spacial 3D reference 21142	
	insulated-head screw	for gutter attachment	55901	
	clip-on nuts for mounting on the combined rails and symmetrical rails	M4 M5 M6	64646 64647 64648	M4 length 10 : 21090 M4 length 16 : 21091 M5 length 12 : 21092 M5 length 18 : 21093 M6 length 12 : 21094 M6 length 18 : 21095
	quarter-turn slide nut for mounting on asymmetrical rail	M4 M5 M6	21134 21135 21136	M4 length 10 : 21090 M4 length 16 : 21091 M5 length 12 : 21092 M5 length 18 : 21093 M6 length 12 : 21094 M6 length 18 : 21095
	quarter-turn slide nut for clipping onto combined rail	M3/M4 M5/M6	64643 64645	M4 length 10 : 21090 M4 length 16 : 21091 M5 length 12 : 21092 M5 length 18 : 21093 M6 length 12 : 21094 M6 length 18 : 21095
	quarter-turn slide nut for clipping onto equipment siderails and notched C-shaped rails	notched M6 standard M6 notched M8 standard M8	64626 64628 64636 64638	M6 length 12 : 21094 M6 length 18 : 21095 M8 length 20 : 21097 (without captive washer)



by Schneider Electric

SAREL S.A.S.

52, route de Phalsbourg
BP 106
67269 Sarre-Union Cedex
France

Tel.: (33) 3 88 01 62 00
Fax: (33) 3 88 00 18 91
fr-sarelcom@sarel.fr

SAREL

Unit C, Stirling Court, Stirling Road
South Marston Industrial Estate
Swindon, Wiltshire SN3 4TQ
United Kingdom

Tel.: (44) 01793 837430
Fax: (44) 01793 837475
sarelgb@schneider.co.uk

<http://www.sarelenclosures.com>

99909

Due to changes in regulations and in materials, the characteristics given for the texts and the images in this document are not binding until confirmed by our technical service.